



# ReOpen

**Pearl Studio 82 Inc. helping Schools  
ReOpen and comply with Safety Standards**

# School Social Distancing Safety Signs

## Entrance

### Description:

Social Distancing safety signage for all around school grounds.. Entrance, Hallways, bathrooms, classrooms etc..

### Price List Options:

Call for pricing packages for individual schools or districts.

### Please Contact for more info:

Stephen Pinette  
**Pearl Studio 82 Inc.**  
163 Main Street Suite 4  
Medway MA 02053

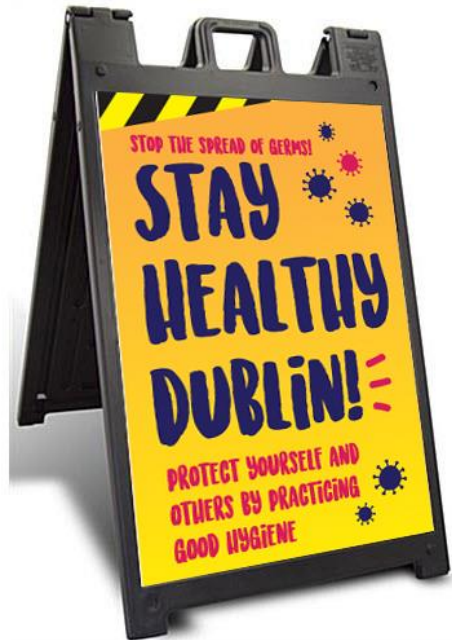
[Ps82.com/reopen](http://Ps82.com/reopen)

508 533 5582 studio  
617 335 4271 mobile



# School Social Distancing Safety Signs

Outside Wayfinding / Check in

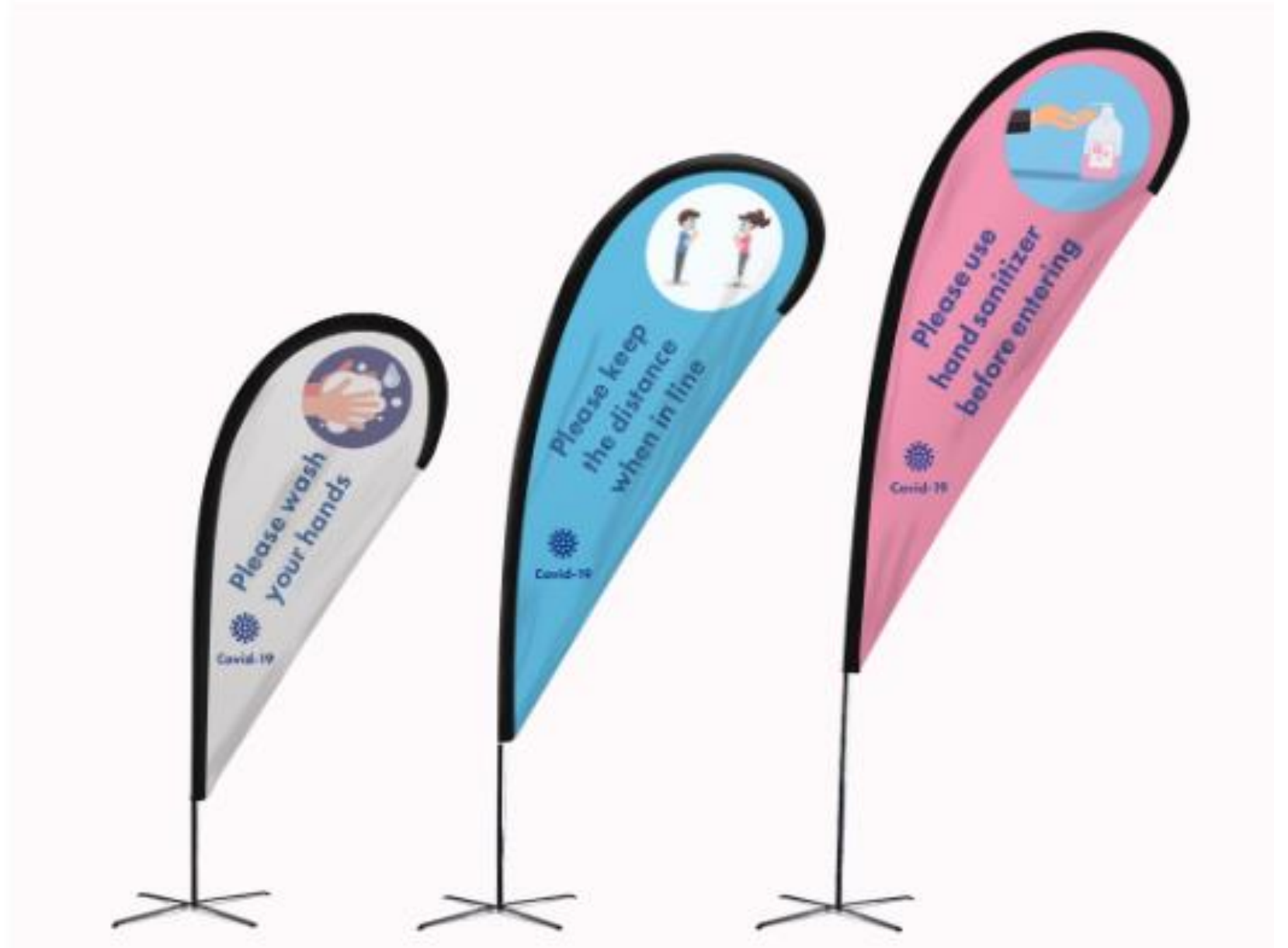


Stanchions with and without message



# School Social Distancing Safety Signs

## Outside



# School Social Distancing Safety Signs

## Hallways



# School Social Distancing Safety Signs



# School Social Distancing Safety Signs

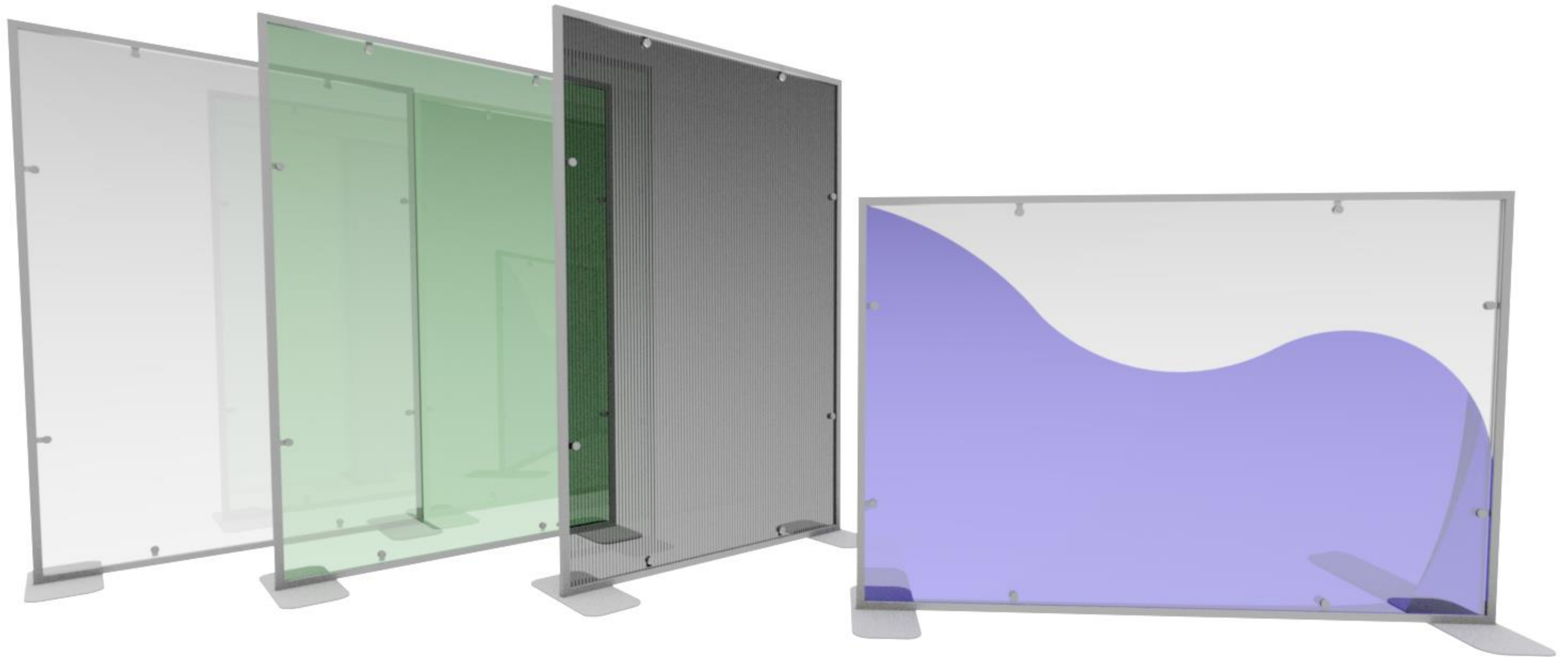
## Bathrooms



# School Social Distancing Partitions

TK2

4'x6' vertical and horizontal frames with clear plexi, colored plexi, twinwall, and graphic layer options.

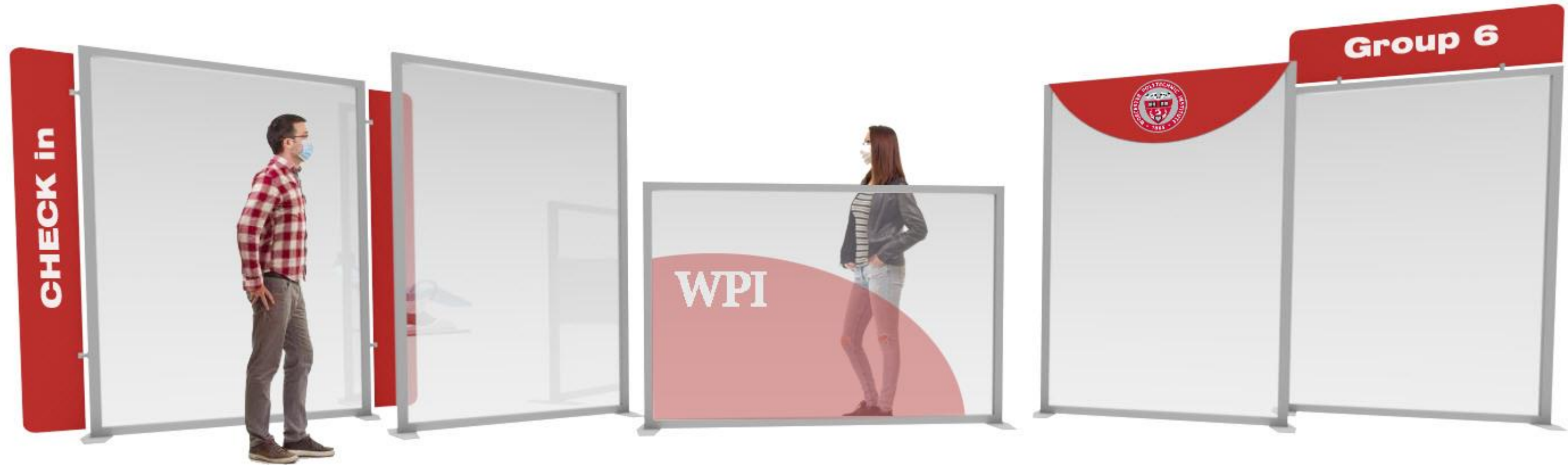
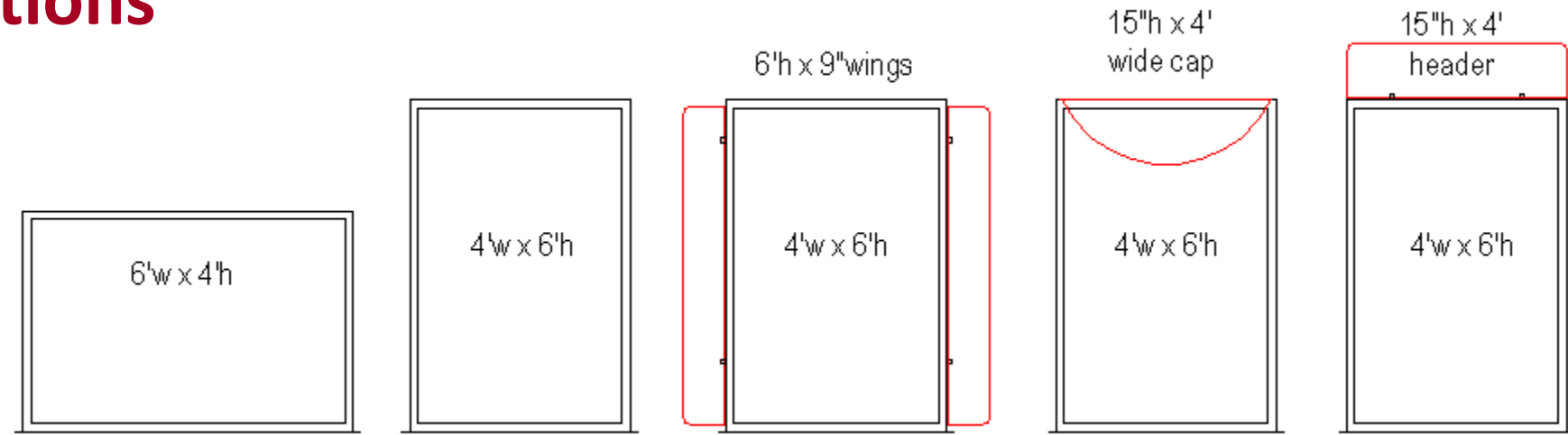




# School Social Distancing Partitions

AG1

4'x6' vertical and horizontal frames with clear plexi, colored plexi, twinwall, and graphic layer options.

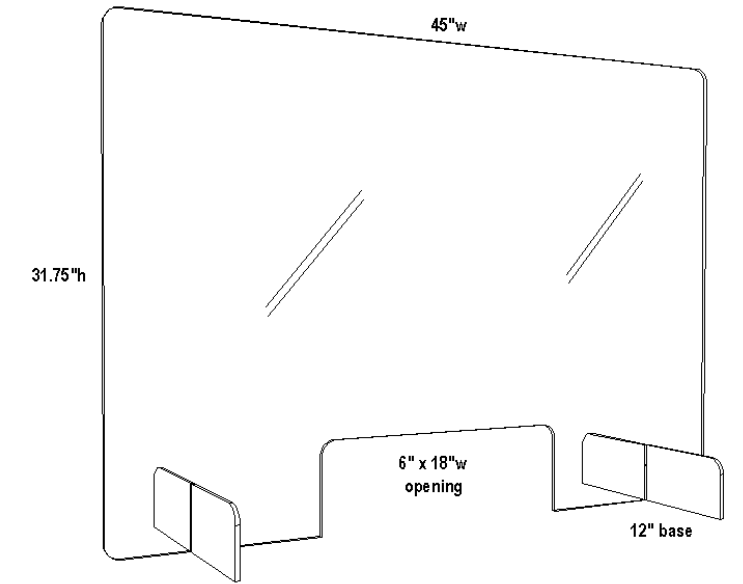


# School Social Distancing Partitions



# School Social Distancing – Hygiene guards

## Classroom Student and Teacher Desks



# School Social Distancing – Hygiene guards

## Classroom Student and Teacher Desks



# School Social Distancing – Anti bacterial stations



Dimensions:  
6"(w) x 4¼"(d) x 10¾"(h)

## Features:

Touch-Free Design Eliminates Cross-Contamination

Goes Anywhere You Need with Long-Lasting Battery Life or Wall Power Adapter.

Battery Indicator Light

1.2 Liter Reservoir (~40 fl.oz.) Means Less Refilling

Reservoir Window So You Know When To Refill

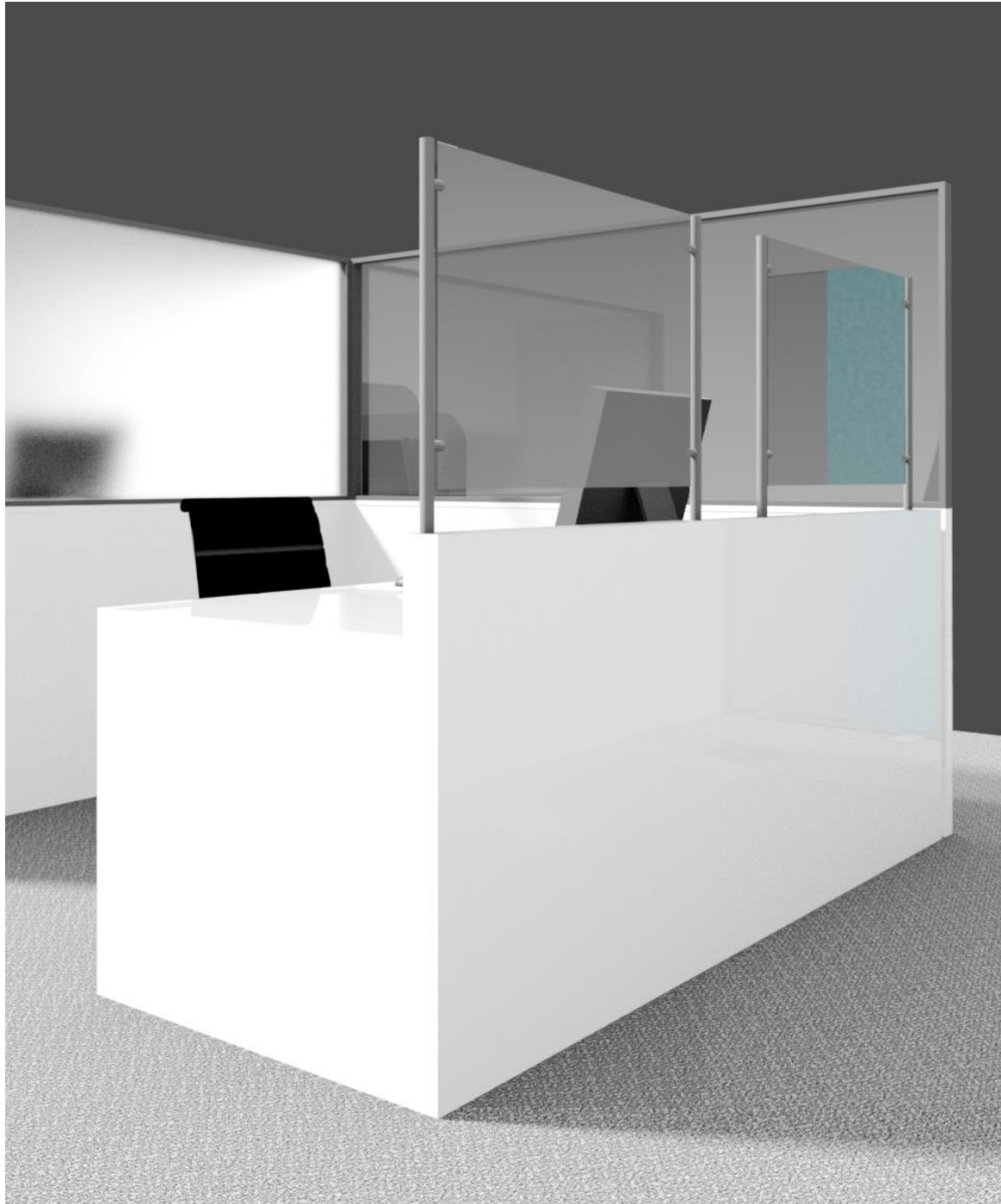
No Proprietary Refill Cartridges – Use Whatever Sanitizer You Already Have



\*Stands, stations, refills and graphics available.

# School Social Distancing – Hygiene guards

## Office/Administration



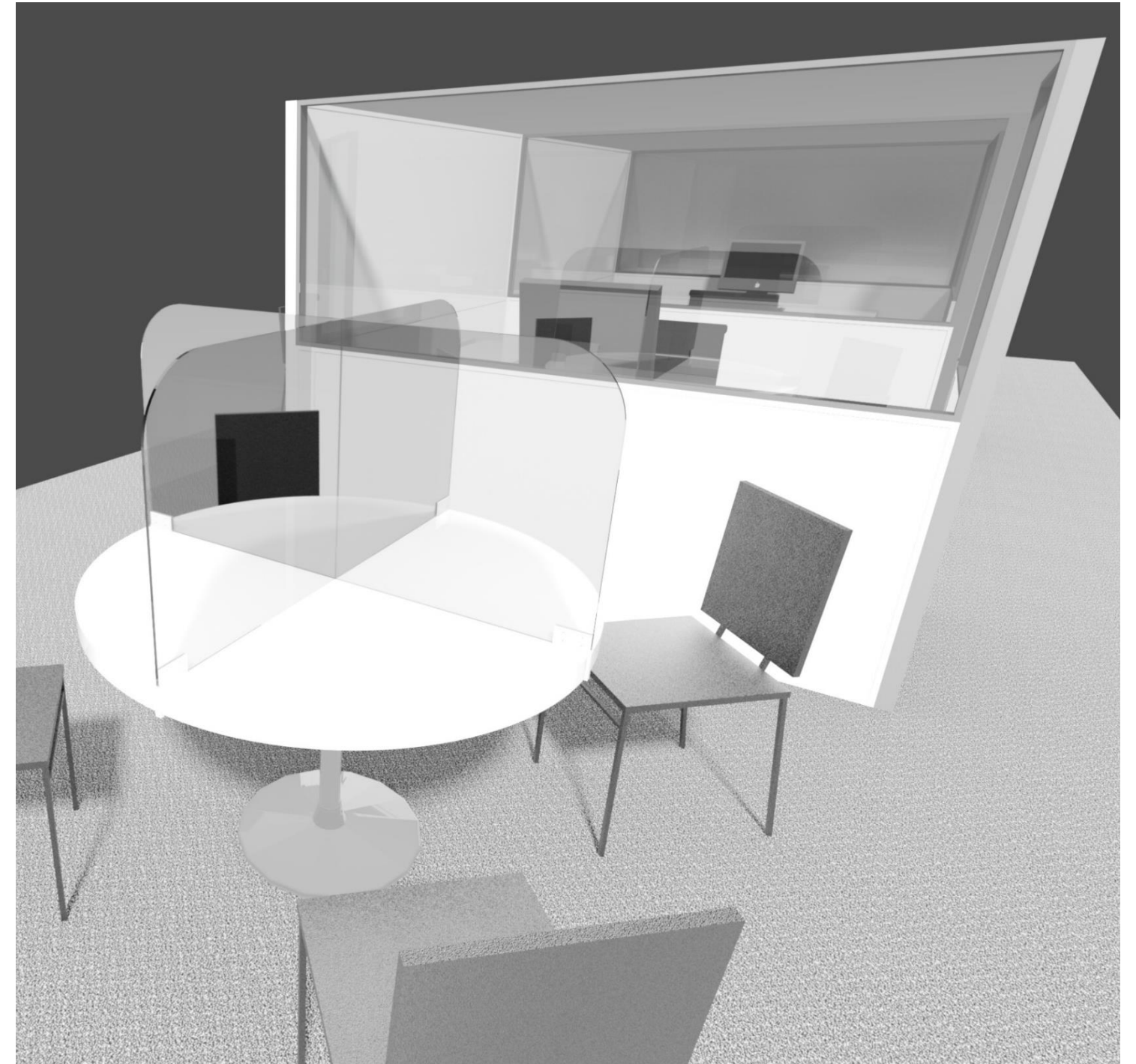
# School Social Distancing – Hygiene guards

## Office/Administration



# School Social Distancing – Hygiene guards

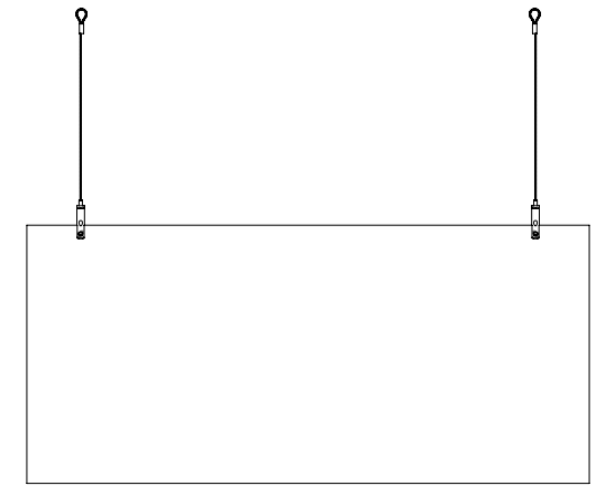
## Office/Administration



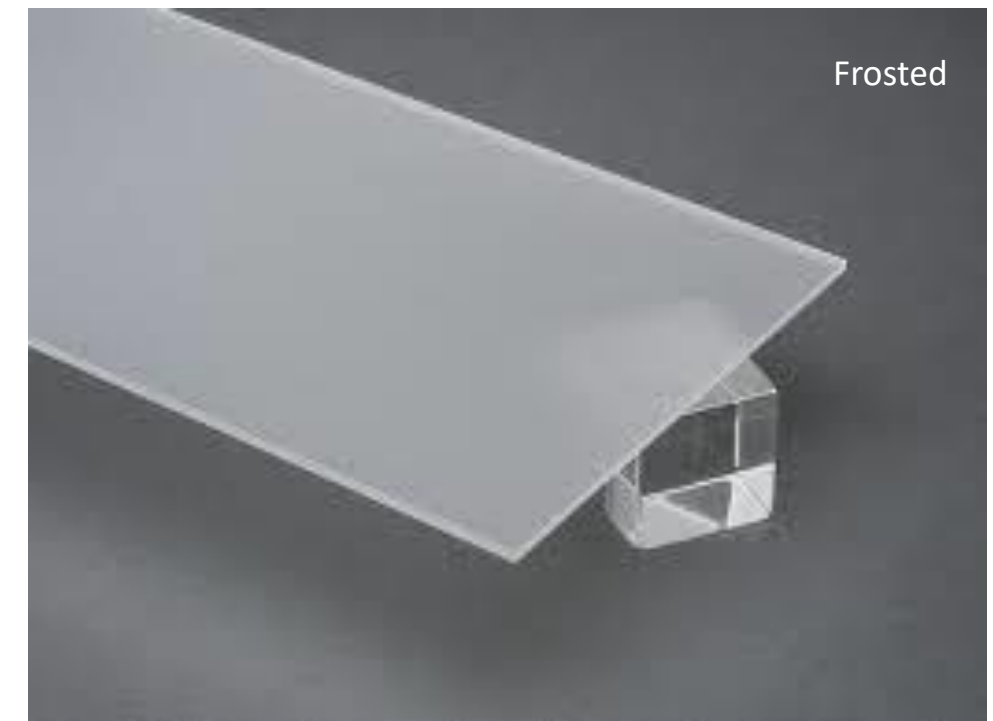
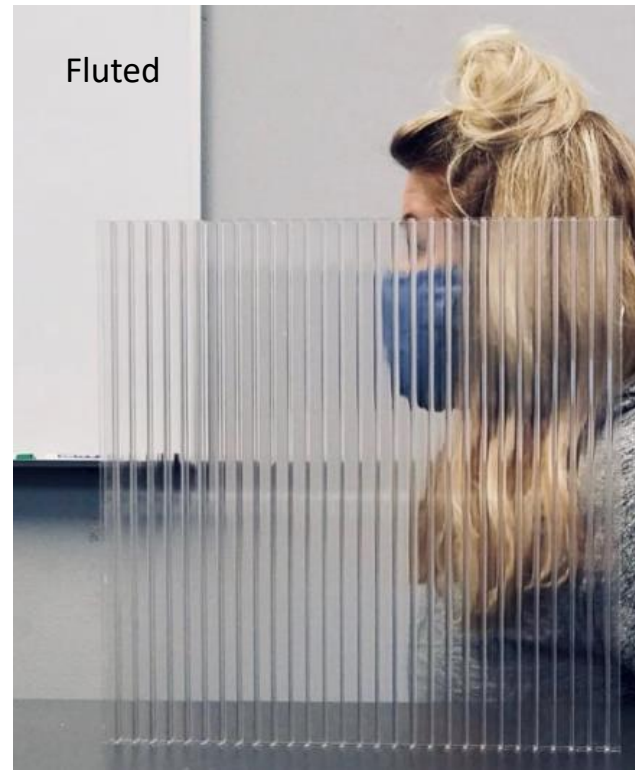


# School Social Distancing – Hygiene guards

Custom and stock sizes available



# School Social Distancing – Materials



**\* We build with the highest quality materials using CNC routers and waterjets for precision and smooth finished edges.**

# School Social Distancing Safety Signs



\* All Graphics can be customizable to your school or mascot etc..

# School Social Distancing Safety Signs



*\* All Graphics can be customizable to your school or mascot etc..*

# Ballpark Social Distancing Signs

## Description:

Social Distancing signage for all sports facilities..  
Baseball, softball, lacrosse, soccer, football, track,  
field hockey etc..

## Price List Options:

Call for pricing packages

## Please Contact for more info:

Stephen Pinette 508 533 5582



**\* All Graphics can be customizable to your school or mascot etc..**

# Ballpark Social Distancing Signs



**\* All Graphics can be customizable to your school or mascot etc..**

Please let me know if we can help with your re-opening.  
Stay Safe.

**STEPHEN PINETTE** | Founder and Creative  
**PEARL STUDIO 82 Inc.** | A 3D Design & Innovation Studio  
163 Main Street | Suite 4 | Medway, MA 02053  
508 533 5582 studio | 617 335 4271 cell | [ps82.com/reopen](https://ps82.com/reopen)